



ATTREZZATURE PER L'INDUSTRIA
PANARIA E DOLCIARIA

EQUIPMENT FOR THE BREAD
AND CAKE BAKING INDUSTRIES

CASSETTA PER PAN CARRE'

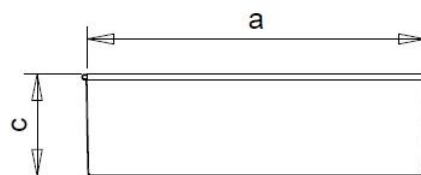
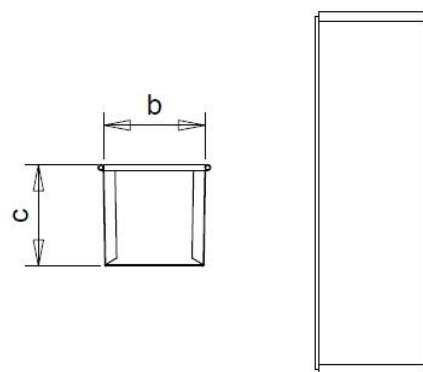
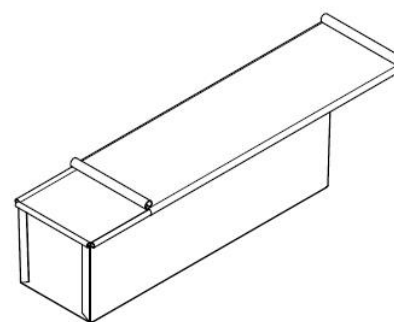
Square loaf tin for toast bread



SPECIFICHE DIMENSIONALI

dimensional specifications

DIM. (mm) size (mm)			MATERIALE material
a	b	c	
200	100	100	lamiera alluminata 6/10 <i>aluminised steel sheet 6/10</i>
300	100	100	lamiera alluminata 6/10 <i>aluminised steel sheet 6/10</i>
400	100	100	lamiera alluminata 8/10 <i>aluminised steel sheet 8/10</i>
500	100	100	lamiera alluminata 8/10 <i>aluminised steel sheet 8/10</i>
400	120	120	lamiera alluminata 8/10 <i>aluminised steel sheet 8/10</i>
500	120	120	lamiera alluminata 8/10 <i>aluminised steel sheet 8/10</i>



Ultimo aggiornamento / Last update: 25/11/2015



ERREPAN S.R.L.

VIA TERRACINI, 4 - 24047 TREVIGLIO (BG) - ITALIA - TEL. 0363.301806 - FAX 0363.303473
ISCR. TRIB. BG32662 - P.IVA 01810950160 - E-MAIL: info@errepan.it - Sito: www.errepan.it